

# Tape Camcorder HD Digitizer

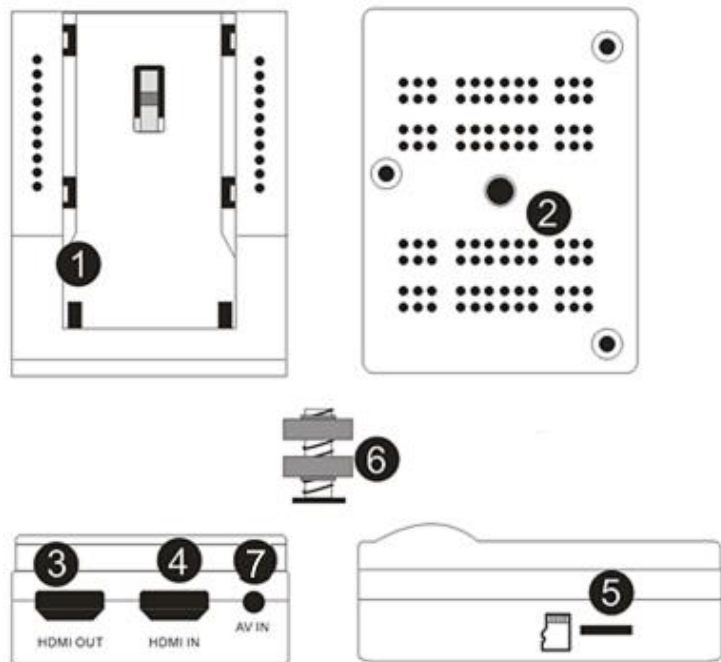
## Quick Start Guide

Thanks for purchasing ezcap293P Tape Camcorder HD digitizer. The following guides you how to set it up. Hope this device will bring you nice digital experience.

Turn your analog HD camcorder to digital, with this ezcap293P Tape Camcorder HD digitizer, you can easily digitalized the storage of your old HD Camcorder from cassette to Micro SD card. It with HDMI input and AV input, can support up to 1080P video recording.

### Features/ports and buttons:

1. Battery container --- To power supply by plug in P970 7.2V battery.
2. The screw socket --- For holding ezcap293P to **FLASH LAMP HOLDER** of HD Camcorder with "6" the holder together.
3. HDMI OUT—HDMI output, pass through display HDMI
4. HDMI IN—HDMI input from HD Camcorder
5. Micro SD slot --- Input Micro SD card to save recorded video.




6. **Screw socket --- For assembling the Digitizer and Camera together.**


7. AV IN --- CVBS input from Camcorder.

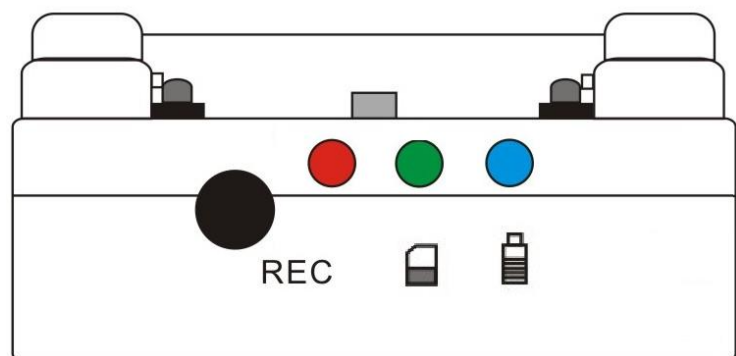
Button and LED:

REC button --- Press to record, again to stop

REC LED --- Flash when recording.

 Battery life LED --- Be off if with enough battery, be flash when less about 10%, be keep on less about 1%

 Micro SD card LED --- Be off if with enough space, be flash when less about 10%, be keep on when less about 1%



### How to use:

**Note: Package contents don't include the battery, HDMI cable and Micro SD Card, please prepare them by yourself.**

The battery is model **NP-F970 7.2V** special lithium battery for camera and camcorder from SONY, and there are some others instead of SONY brand.  
ezcap293P only supports **FAT32 format Micro SD Card**, and we advise **Class 6 or higher** speed and **within 32GB capacity**.

Usually we have assembled the screw socket and ezcap293P Tape Camcorder HD Digitizer together. Please assemble the HD Digitizer with screw socket to flash lamp slot of your camcorder together. And screw them.

1, Plug a NP-F970 lithium battery to ezcap293P, will see the 1080 LED goes on. The battery LED also shows on but goes off in 1~2 seconds if the battery with enough power. If the battery life is less than 10%, the LED will turns to flash, and turns to on when less than 1%.

Note: Package

The Micro SD card LED also shows on the same time if there is no Micro SD card input.

2, Plug a Micro SD card in, the Micro SD card LED will on off after card detection (around 15 seconds), the LED will turns to flash if the space is less than 10% after detection, and will be keep on if detect the space no more than 1%.

3, Use a HDMI cable, one side connect to the HDMI output of HD camcorder, the other side connect to the input of ezcap293P.

4, Press REC button to record video, will see the REC led keep flash during recording. Press REC again if want to stop recording.

**Most important:** Keep notice at the battery and Micro SD card LEDs, should stop recording when see they are flash or keep on.

After you stop recording, connect the Micro SD card to computer, will see the recorded files: for 1080P recording, file will be Encode\_1080P\_1, for 720 or 480p recording, file will be Encode\_1.

Every record/stop operation will create a different recording file: Encode\_1080P\_1, Encode\_1080P\_2, Encode\_1080P\_3... and so on.

The max size per file will be around 1.95GB (around 15 minutes for 1080p video), when you record a video more than 1.95GB (15 minutes), ezcap280 will partition it in more than 1 file, for example: if you record a 45 minutes 1080p video by one click recording, you will see 3 files: Encode\_1080P\_1, Encode\_1080P\_1\_1, Encode\_1080P\_1\_2...and so on

If you like use a media player to playback the recorded video, make sure it support MPEG4 video and AAC audio decode.

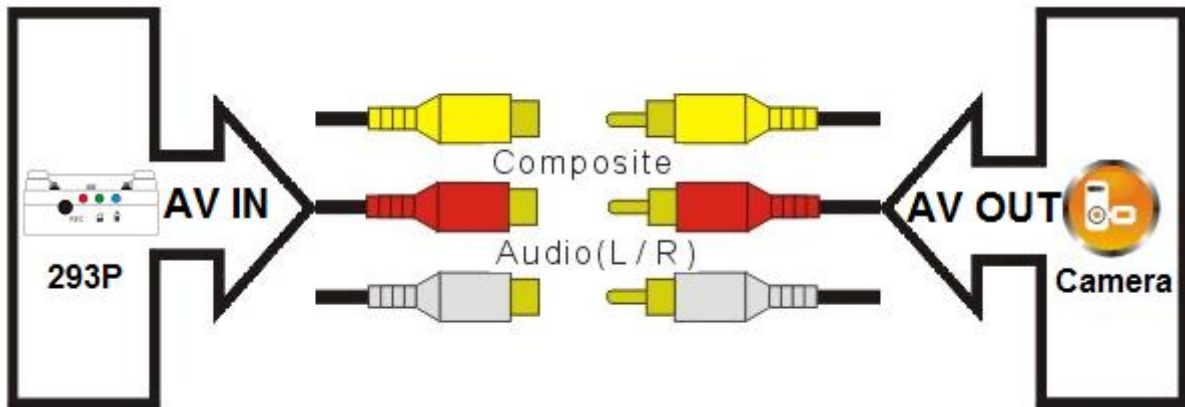
Update firmware: you maybe need update firmware for this device for some reason. Copy the firmware file in to Micro SD card, power off the device (unplug power jack), plug SD to device, power on, the indicator will flash 7~8 seconds, then the update is finished.

After long time using, you will see the number of recording file become too big, for example Encode\_1080P\_234, but you want it be start from Encode\_1080P\_0. Do following: power on the ezcap293P, and not plug Micro SD card in, keep press REC button, after 3 seconds will see the REC

led flash one time, the file number will start from 0.

**If your camcorder with AV OUT only, no HDMI output, ezcac293P also can work for it.**

Usually the old camcorder there is special port for AV OUT, such as 3.5mm port, multi port, and semicircle port, etc. The special video cable should be in your camcorder package. Please connect your video cable to AV OUT port of your camcorder, and use the video cable in ezcac293P package to connect to AV IN of ezcac293P, then connect with above two video cables together as below picture. The operations are similar as above.



### Guide for recording extension cable

Please use recording extension cable if you fix ezcac293P with your camcorder, and feel the REC button is not convenience to you. Use recording extension cable to connect with the cable that outside of ezcac293P, then stick the button on your camcorder where you feel convenience.

## Specifications:

### Connections

Interface	Micro SD card slot
Video Input	HDMI, AV
Audio Input	HDMI, L/R Audio
Video Output	HDMI (Pass-through from HDMI input or AV input)
Audio Output	HDMI (Pass-through from HDMI input or L/R Audio input)

### Package Contents

Device	Ezcac293P Tape Camcorder HD digitizer
--------	---------------------------------------

<b>Others</b>	Holder screw, Editing Software CD, Manual, AV cable, Recording extension cable
---------------	---

## Hardware Extra

<b>Codec</b>	Hardware H.264 encoder, AAC audio eccoder
<b>User Interface</b>	REC /Stop button
	LED indicator for working status
<b>Dimensions</b>	82(L) × 62(W) × 30(H) mm
<b>Weight</b>	75g

## Standards

<b>Storage Media</b>	Micro SD card, only FAT32 supported. Class 6 or later, Within 32GB
<b>Resolution</b>	<b>Input / Pass-through:</b> 720 x 480 (60p), 720 x 576 (50p), 1280 x 720p (50p), 1280 x 720p(60p), 1920 x 1080 (50i), 1920 x 1080 (60i), 1920 x 1080 (24p), 1920 x 1080 (25p), 1920 x 1080 (30p), 1920 x 1080 (50p), 1920 x 1080 (60p)
	<b>Capture:</b> 720 x 480 (60p), 720 x 576 (50p), 1280 x 720p (50p), 1280 x 720p(60p), 1920 x 1080 (50i), 1920 x 1080 (60i), 1920 x 1080 (24p), 1920 x 1080 (25p), 1920 x 1080 (30p), 1920 x 1080 (25p), 1920 x 1080 (30p)
	Note: Up scaling is not supported.
<b>Record Format</b>	MPEG4
<b>Record Quality</b>	Max: 18Mbps@1080P 30fps
<b>Record File</b>	Max: 2GB / Per File
<b>Record Place</b>	Max: 140MB / Minute, 8.4GB / Hour
<b>Power Supply</b>	NP-F970 7.2V lithium battery

# 磁带式摄像机高清转录一体机

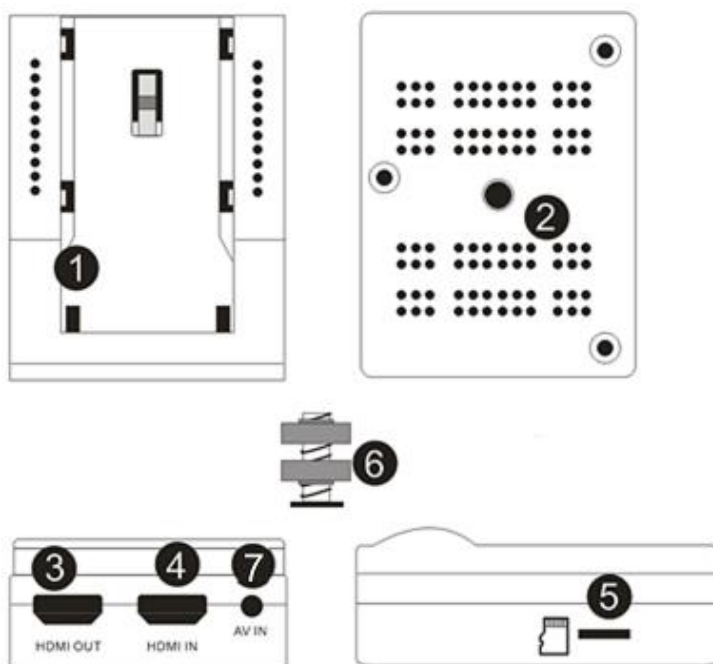
## 说明书

非常感谢您购买我司研发生产的 ezcacp293P 磁带式摄像机高清转录一体机，下述内容详细说明如何使用和设置该产品，希望这款产品给你带来美好的使用体验！

使用 ezcacp293P 磁带式摄像机高清转录一体机，你可以用你老式磁带式摄像机录制影像的同时，将视频录制并保存在 TF 卡内，而无需再次将磁带的模拟视频再次转为数字视频并进行编辑。这款 ezcacp293P 磁带式摄像机高清转录一体机，具备 HDMI 输入和 AV 输入，最高支持 1080P 的高清视频录制。

### 外观、接口及按键：

1. 电池槽 --- 用于插入 NP-F970 7.2V 相机摄像机专用锂电池。
2. 螺孔插座 --- 通过配备的固定螺丝 6 将 ezcacp293P 和摄像机闪光灯卡座固定在一起。
3. HDMI OUT—HDMI 输出端口，用于连接电视机或显示器来显示视频源影像
4. HDMI IN—HDMI 输入端口，用于连接摄像机 HDMI 输出端。
5. TF 卡插槽 --- 用于插入 TF 卡保存转录影像文件。
6. 固定螺丝 --- 用于将转录器和摄像机固定在一起。
7. AV IN --- AV 复合视频输入端口，配有转接线用于连接摄像机的 AV 复合视频输出。





7. AV IN --- AV 复合视频输入端口，配有转接线用于连接摄像机的 AV 复合视频输出。

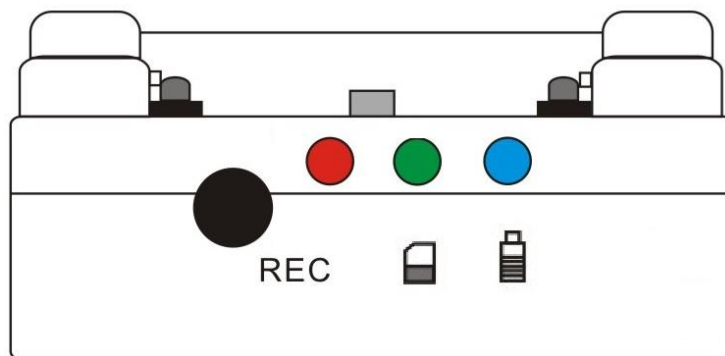
按键和 LED 指示灯：

REC 按键 --- 按下开始录制，再次停止。

REC 指示灯 --- 录制时闪烁。

 电池容量指示灯 --- 灯不亮表示电池有足够电池容量,闪烁表示容量少于约 10%，常亮表示容量大约还剩 1%。

 TF 卡容量指示灯 ---灯不亮表示 TF 卡有足够容量,闪烁表示容量少于约 10%，常亮表示容量大约还剩 1%。



**注意：**电池容量指示灯和 TF 卡容量指示灯，在使用不同电池和不同 TF 卡时可能会有出入，请根据实际使用情况和经验进一步自行掌控，以免耽误录制和保存。

## 如何操作:

**注意:** 包装内容不包括电池、HDMI 线和 TF 卡, 请自行准备或购买。

电池为型号索尼 **NP-F970 7.2V** 相机摄像机专用锂电池, 也有可代替索尼的其它品牌, 比如品胜等。

**ezcap293P** 仅支持 **FAT32** 格式的 **TF** 卡, 我们建议使用正品 **Class 6** 或更高速度的 **TF** 卡, 容量在 **32GB** 以内。

一般情况下您拿到的 **ezcap293P** 磁带式摄像机高清转录一体机, 我们已经将固定螺丝与设备固定好了。在使用前可以将固定螺丝的底座卡在您摄像机的闪光灯卡座上, 同时旋紧固定金属片, 这样 **ezcap293P** 磁带式摄像机高清转录一体机就和您的摄像机完美的固定在一起了。

1, 将一块充满电的 **F970** 锂电池插入 **ezcap293P** 电池槽, **1080** 指示灯将会点亮。同时电池容量指示灯也会点亮, 如果电池容量充足, 则将会在一两秒后熄灭。如果容量少于 **10%** 将会不停闪烁, 而常亮则表示该电池容量仅剩余约 **1%**。

如果此时没有插入 **TF** 卡, 则 **TF** 卡容量指示灯也会常亮。

2, 将 **TF** 卡插入插槽, **ezcap293P** 侦测到 **TF** 卡有足够容量后将会熄灭(大约需时 **15** 秒), 如果 **TF** 卡容量少于 **10%** 将会不停闪烁, 而常亮则表示该卡容量仅剩余约 **1%**。

3, 用一条 **HDMI** 线材, 一端连接摄像机的 **HDMI** 输出端口, 一端连接 **ezcap293P** 的 **HDMI** 输入端口。

4, 按下 **REC** 录制按键, **REC** 录制指示灯闪烁表示 **ezcap293P** 正在正常录制影像并保存在 **TF** 卡内, 再次按下 **REC** 按键将会停止录制。

**重要:** 请留意电池容量指示灯和 **TF** 卡容量指示灯, 当她们闪烁或者常亮有可能会**导致 ezcap293P** 停止录制。

停止录制后, 拔下 **TF** 卡插入电脑, 你将会看到刚刚录制的影像文件。如果你选择的摄像机输出画质是 **1080**, 文件名会显示为 **Encode\_1080P\_1**,; 而如果选择的是 **720** 或任何不是 **1080** 的画质, 则文件名显示为 **Encode\_1**。

每一次录制/停止的操作都会新创建一个不同的录制文件: **Encode\_1080P\_1, Encode\_1080P\_2, Encode\_1080P\_3...**

每一个录制文件最大约 **1.95GB**, (对于 **1080P** 视频大约 **15** 分钟), 当单个文件超过 **1.95GB** 时, **ezcap293P** 磁带式摄像机高清转录一体机将会自动生成一个 **1.95GB** 的视频文件, 并继续录制。比如你一次录制一个 **45** 分钟的 **1080P** 视频, 你将会得到大概三个视频文件: **Encode\_1080P\_1, Encode\_1080P\_1\_1, Encode\_1080P\_1\_2...**

如果您使用媒体播放器播放录制文件, 请确保该设备支持 **MPEG4** 视频格式和 **AAC** 音频格式。

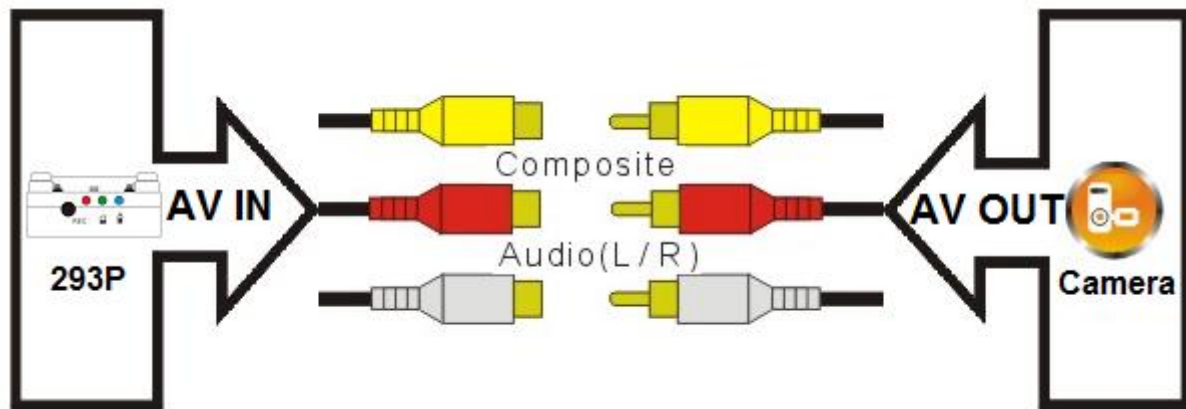
程序升级: 因为一些原因你或许需要升级程序。请将新的程序拷贝到 **TF** 卡内, 将 **ezcap293P** 电池拔掉, 插上 **TF** 卡, 再插上电池, 这时 **REC** 指示灯将会闪烁七八秒, 并最终变成常亮, 这时表示软件升级成功。

长时间使用后, 你将会看到录制文件名的数值越来越大, 比如 **Encode\_1080P\_234**。如果你觉得不太好管理, 而想从 **Encode\_1080P\_0** 开始的话, 请将 **ezcap293P** 电池拔掉, 然后长按住录制按键, 并插上电池, 大概三秒后, 文件名将会清零。

我们也附上了专业的视频编辑软件, 你可以用来编辑转录的视频文件。

如果您的模拟摄像机没有 HDMI 输出接口，而仅仅有 AV OUT 复合视频输出(一般摄像机本体为 3.5 毫米音频接口、MULTI 多媒体接口或半圆视频接口，配有专门的视频转换线。请参考摄像机说明书)，ezcap293P 也可以满足您的需求。

请取出摄像机配备的专用视频输出线与摄像机的 AV OUT 连接好，取出 ezcap293P 配备的 3.5 毫米转 3RCA 转换线并与 ezcap293P 的 AV IN 连接好，然后如下图将以上两个线材各自的 RCA 端子连接好。其余注意事项和操作流程与以上相同。



### 录制延长线的使用

一般专业摄像机的体型较大，在 ezcap293P 与闪光灯插槽固定后，面板的录制按键距离摄像机观察窗较远，因此我们为 ezcap293P 专门做了一条录制延长线。ezcap293P 本体有挂一条线，如果你按照以上说明书操作后不觉得按下录制按键有任何不方便，则忽略这条线，如果你觉得过程中因为按键距离远而不方便操作，请将配套的录制延长线的一端与 ezcap293P 本体的那条线连接好，然后将另外一端的按键用双面胶固定在你方便操作的摄像机的表面即可。

## 产品规格参数:

### 接口连接

界面	TF 卡槽
视频输入	HDMI, AV 复合视频
音频输入	HDMI, 左右声道
视频输出	HDMI (通过 HDMI 输入或 AV 输入获得)
音频输出	HDMI (通过 HDMI 输入或左右声道输入获得)

### 包装内容

设备	ezcap293P 磁带式摄像机高清转录一体机
其它	固定螺丝(与 ezcap293P 一起), 软件光盘, 说明书, AV 转接线, 录制延长线

## 硬件规格

编码器	H.264 硬件编码, 音频 AAC 编码
用户界面	录制/停止按键
	LED 状态指示灯
尺寸	82(长) × 62(宽) × 30(高) mm
重量	净重 75 克

## 规格参数

存储媒介	TF 卡
	注: 仅支持 FAT32 格式, 32GB 以内, 建议 Class6 或更高速度
分辨率	<b>输入 / 输出:</b> 720 x 480 (60p), 720 x 576 (50p), 1280 x 720p (50p), 1280 x 720p(60p), 1920 x 1080 (50i), 1920 x 1080 (60i), 1920 x 1080 (24p), 1920 x 1080 (25p), 1920 x 1080 (30p), 1920 x 1080 (50p), 1920 x 1080 (60p)
	<b>录制:</b> 720 x 480 (60p), 720 x 576 (50p), 1280 x 720p (50p), 1280 x 720p(60p), 1920 x 1080 (50i), 1920 x 1080 (60i), 1920 x 1080 (24p), 1920 x 1080 (25p), 1920 x 1080 (30p), 1920 x 1080 (25p), 1920 x 1080 (30p)
	注: 录制和输出之视频分辨率与输入一致, 不支持提升分辨率。
录制格式	.MP4
录制质量	最大: 18Mbps@1080P 30fps
录制文件	最大: 1.95GB / 一个文件
录制空间	最大: 140MB / 分钟, 8.4GB / 小时
电源适配器	NP-970 相机摄像机专用锂电池, 7.2V

## 应用软件

软件	虹软 Showbiz
视频编辑	时间轴 / 分镜编辑, 分割场景...
视频输出	YouTube 上传



	便携终端: iPod, iPhone, iPod Touch, Apple TV, PSP, PS3, Xbox
	File: MPEG 1 / 2 / 4, WMV HD, QuickTime (MOV) ...
操作系统	Windows 8 (32 / 64 bit), Windows 7 (32 / 64 bit), Windows Vista (32 / 64 bit)
CPU	Intel Core 2 Duo 2.8GHz, AMD Athlon 64X2 Dual Core 3.0GHz
内存	4 GB RAM
显卡	VGA card with support for DirectX 10.0c or above